

D3, D5 & D6 | OIL FREE - DIAPHRAGM PUMPS

PERFORMANCE

- 3.0 - 6.0 Litres/ Min Flow

D3



D5



D6



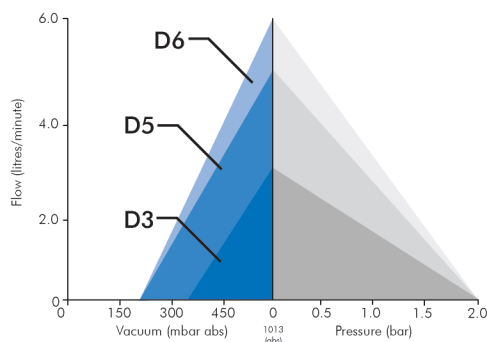
- Clean oil free vacuum and pressure source in a very quiet, low compact unit.
- Lightweight components, slim line design and low operating current - ideal for applications where space is at a premium.
- Models can be upgraded with an optional variety of materials resistant to a wide range of corrosive gases and vapours
- Optional brushless motor designed for continuous duty, low maintenance applications
- Models available for use with AC or DC supply.

APPLICATIONS

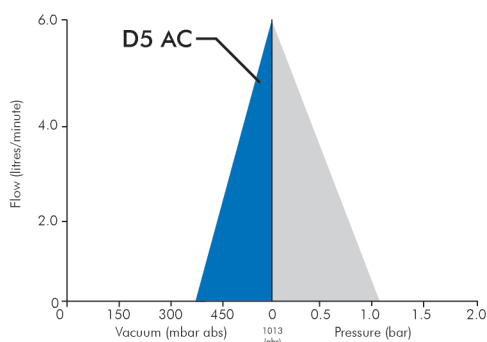
- BEVERAGE DISPENSERS
- ENVIRONMENTAL MONITORING
- GAS SAMPLING
- TOURNIQUETS
- INSTRUMENT ACTUATION DEVICES
- WOUND THERAPY
- BUBBLE TUBES
- PARTICLE SAMPLERS
- INK JET PRINTING

PERFORMANCE

DC VERSION



AC VERSION



PUMP MATERIALS

COMPONENT	MATERIAL
HEAD	NYLON
VALVES	EPDM
DIAPHRAGM	EPDM



NON-CORROSIVE

- POLYPROPYLENE
- PTFE



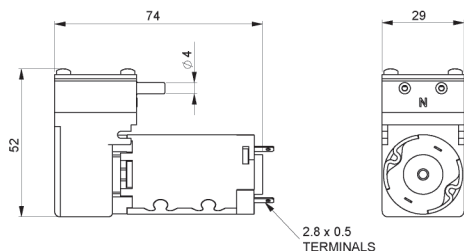
VOLTAGE OPTION

- 12V • 110V
- 24V • 230V
- BLDC

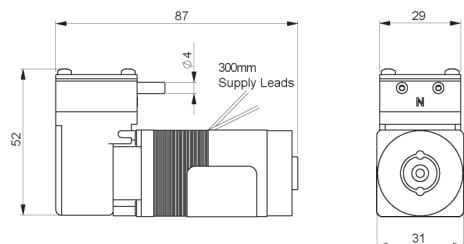
D3, D5 & D6 | OIL FREE - DIAPHRAGM PUMPS

DIMENSIONS (mm)

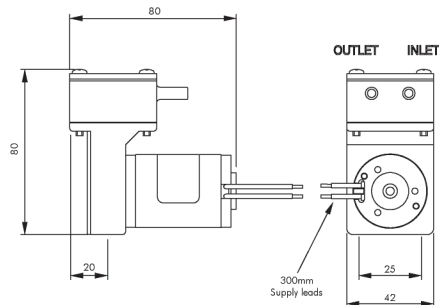
D3 - 150G



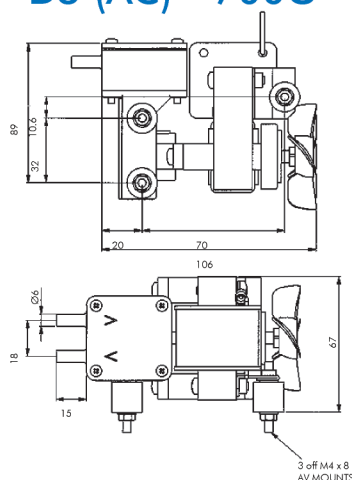
D3 BLDC - 260G



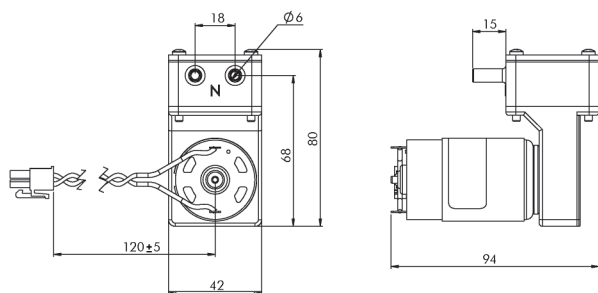
D5 (DC) - 300G



D5 (AC) - 700G



D6 - 700G



VOLTAGE 12V DC

MODEL			
D3	0.5A	0.5A	1.0A
D3 BLDC	0.4A	0.45A	1.0A
D5 (DC SUPPLY)	0.7A	0.85A	2.0A
D6	0.3A	0.6A	2.0A

VOLTAGE 24V DC

MODEL			
D3	0.15A	0.25A	0.5A
D3 BLDC	0.2A	0.25A	0.5A
D5 (DC SUPPLY)	0.2A	0.4A	2.0A
D6	N/A	N/A	N/A

PERFORMANCE

MODEL			
D3	3.0	350	1.8
D5 (DC SUPPLY)	5.0	190	2.0
D5 (AC SUPPLY)	5.0	480	1.1
D6	6.0	200	2.1

WHY CHOOSE BRUSHLESS MOTORS?

- Longer lasting motor than standard options.
- More economical/ efficient on power.
- Integrated lock rotor.
- Better electromagnetic capability (EMC).
- Integrated Tachometer feedback.

Please note - it is important that you ensure the motor specification stated and the range of materials offered in the pump are compatible with the performance, environmental limitations and chemical resistance requirements of the application. For further information or details of our extensive range of pumps, contact our technical sales office who will be pleased to help you select the most suitable pump for your application.